



## Installation Instructions for The Dr. Clark Shower Filter

### I. Pre-Installation Procedure

Dr Clark recommends a simple pre-installation immersion procedure to harden the "O" Ring on the empty Filter Cartridge in order to prevent seepage into your water.

1. Remove the black flat "O" Ring from the empty cartridge and place it together with the Foam Donut in a kettle of water. Place ONLY these two items in the water. Heat water to 100° F for five minutes.

**CAUTION: Do NOT place the entire cartridge in the hot water! This will damage the cartridge.**

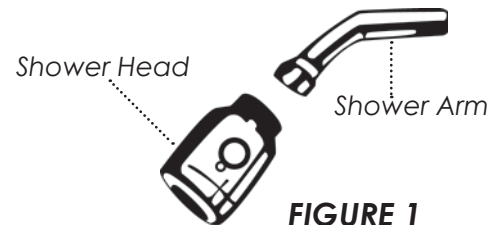
2. Pour the provided charcoal media into the Filter and replace the Donut.
3. You may have left over charcoal media. Discard it.
4. Replace the Filter Cartridge Cap.

**NOTE:** You may also use one of our Pre-Packed Cartridges. The Refillable Cartridge, used per the above directions, meets the standards of the public protocols of Dr. Hulda Clark. Please note, however, that the Conventional Cartridges do not meet with Dr. Clark's protocols.

### II. Installation Procedure

Items needed for installation: Vice-grip pliers, Teflon tape, rag.

1. Wrap the Shower Head with a rag to avoid marring finish. Using pliers, remove the Shower Head from the Shower Arm by turning the base of it counter-clockwise. **(See Figure 1)**



**FIGURE 1**

2. Remove the Shower Arm from the wall by turning counter-clockwise. Use pliers and rag if necessary. **(See Figure 2)**



**FIGURE 2**

3. Remove the Trim Collar.
4. Wrap, clockwise, 3 layers of Teflon tape around the threads at one end of the Nipple (short straight pipe) provided. Screw the taped end of the Nipple into the hole in the shower wall. Tighten with pliers and rag. **(See Figure 3)**



**FIGURE 3**

**NOTE:** When using Teflon tape, make sure none of it is exposed to the inside of the pipes.

**NOTE:** There must be at least 1 inch and no more than 2<sup>1/2</sup> inches of pipe exposed past the surface of the shower wall.

**NOTE:** Longer or shorter Nipples are available in the plumbing department of your local hardware store.

5. Slip the existing Trim Collar onto the Nipple, sliding it against the shower wall.
6. Wrap, clockwise, 3 layers of Teflon tape around the exposed threads of the Nipple.

**NOTE:** Make sure no pieces of Teflon tape are left dangling inside pipe.

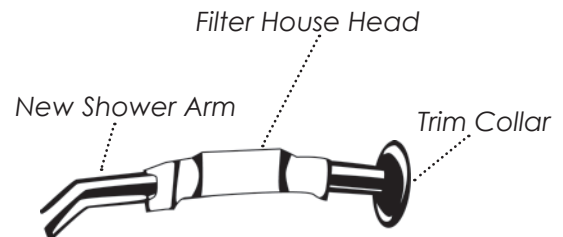
7. Screw the **IN** side of the Filter Housing Head onto the exposed Nipple. **(See Figure 4)**



**FIGURE 4**

**CAUTION:** Be careful not to cross-thread. Plastic threads are fragile. Tighten **ONLY** until snug. Over-tightening may cause the Filter Housing Head to crack.

8. Wrap, clockwise, 3 layers of Teflon tape around the threads at one end of the new Shower Arm (provided). **(See Figure 5)**

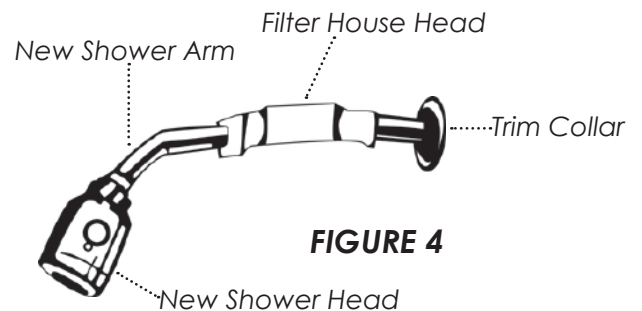


**FIGURE 5**

9. Screw the taped end of the Shower Arm into the **OUT** side of the Filter Housing Head.

**CAUTION:** Tighten **ONLY** until snug.

10. Tape the exposed threads of the Shower Arm with Teflon tape.



**FIGURE 4**

11. Screw your old Shower Head or a new Shower Head onto the Shower Arm. **(See Figure 6)**

**NOTE:** We highly recommend the use of a high quality water-saving Shower Head (3 gallons per minute or less). We sell the best one available. By slowing down the flow of water through the Filter, thus decreasing the number of gallons being filtered, you greatly extend the life of the Filter Cartridge. You also increase the contact time of the chemicals as they are filtered through the carbon media. This greatly increases the percentage of chemicals removed.

12. Check that the Filter Housing Rubber "O" Ring is in its circumferential slot around the inside of the Filter Housing.

13. Fill the Filter Cartridge with carbon media (provided) as follows:

- a. Unscrew the Filter Cartridge Cap.
- b. Remove the white foam Donut.
- c. Pop the center out of the Donut and discard.
- d. Pour the provided charcoal media into the Filter and replace the Donut.
- e. Replace the Filter Cartridge Cap.

**NOTE:** If you have already filled the Filter Cartridge with carbon media during the Pre-Installation Procedure, you may skip this step. You may also use one of our Pre-Packed Filters. (items 10407 and 10408)

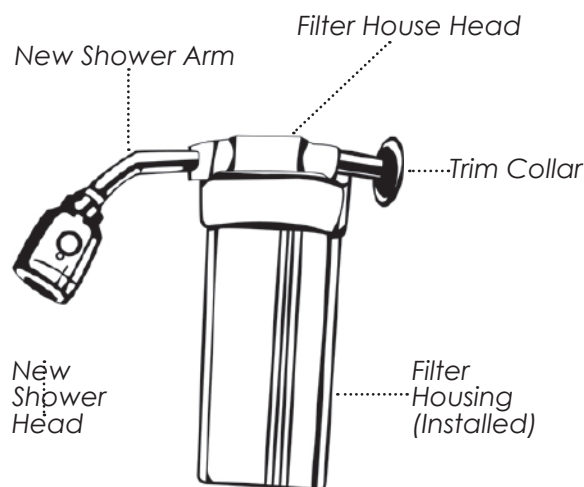
14. Drop the Filter Cartridge into the Filter Housing.

**IMPORTANT NOTE**

The flat black rubber "O" ring on Filter Cartridge should face the Shower Filter Head. If using a Pre-Packed Filter, make sure there is a rubber gasket on each end.

15. Screw the Filter Housing onto the Filter Housing Head. Snugly tighten with the provided Spanner Wrench while firmly holding the Filter Housing Head to prevent undue strain on the pipe extending from the shower wall. **(See Figure 7)**

16. Turn on the cold water to the Shower Filter and check to see if water is leaking of any joints. If water is leaking, retighten the appropriate joint to stop the leak.



**FIGURE 7**

**NOTE:** If there is still a problem, back up and redo the Teflon taping procedure and check if the "O" ring on the Filter Housing and Cartridge is in place.

**NOTE:** To keep your shower filtration system operating efficiently, replace the Filter Cartridge when the water flow slows down appreciably or when you detect the presence of any chlorine in your water. To replace the Filter Cartridge, simply unscrew the Filter Housing from the Filter Housing Head by turning it counter-clockwise, using the provided Spanner Wrench. Be sure to firmly hold the Filter Housing Head to prevent undue strain on the pipe extending from the shower wall.

### **WHAT CHEMICALS DOES THE FILTER REMOVE?**

The filter is most effective in removing the following List of Contaminants. However its effectiveness is limited by the amount of activated coconut carbon in the filter. The other limitation is that the filter is not designed to backwash and regenerate itself.

---

**The best solution for filtration of the following impurities is the Whole House Filter, why?**

**There are 2 main reasons:**

1. It has a large bed of filter medium, 1 sq. foot of activated coconut carbon.
2. It is designed to automatically backwash and wash out the impurities.

**For more information on the**

## **WHOLE HOUSE FILTRATION SYSTEM**

<http://www.drclarkstore.com/drclwhhofiki.html>

---

### **LIST OF CONTAMINANTS THE FILTER HELPS TO REMOVE**

Acetone, alcohol, benzenes, butyl acetate, chlorine, chlorobenzene, defoliants, dyes, ethyl acetate, ethyl chloride, formaldehyde, gasoline, glycol, herbicides, insecticides, isopropyl alcohol, ketones, methyl acetate, naphtha (coal tar), nitrotoluene, oxalic acid, phenol, potassium permanganate, propionaldehyde, sodium hypochlorite, solvents, tar emulsion, trichlorethylene, turpentine, urine, xylene.

---

**To read the complete report on**

### **The Ability of Activated Carbon to Remove Various Substances from Water**

<http://site.drclarkstore.com/activatedcarbon>

---

### **PLEASE NOTE THAT CARBON IS NOT EFFECTIVE IN REMOVING THE FOLLOWING CONTAMINANTS**

Bacteria, lead, arsenic, cadmium, mercury, mineral salts, iron, dirt

### **HOW OFTEN SHOULD I CHANGE MY FILTER CARTRIDGE?**

#### **1. Dr. Clark Refillable Cartridge Refill**

Once per month with Pre-Washed Activated Charcoal (Product Number 10651) from Self Health Resource Center. Store unused Pre-Washed Charcoal in your freezer should you want to keep it longer than a month.

#### **2. Conventional Cartridge**

Replace every 6 months or more often depending on preference.

Keep in mind that as soon as you have impurities like benzene in the cartridge it will keep distributing tiny amounts of that pollutant into your drinking water until you replace the cartridge. Again, this is why we recommend the Whole House Filter, because it regenerates itself every 5 days. It's like having a new filter cartridge installed every 5 days.

If the smell of chlorine becomes present when using the filter, change the cartridge content. For a fast and accurate check of the amount of free chlorine in your water you may purchase **Chlorine Water test strips online at <http://drclarkstore.com/chwach50sf.html>.**

If you are filtering well-water, it is advised to install a UV Sterilization System.

### **IMPORTANT INFORMATION ABOUT YOUR DR. CLARK SHOWER FILTER**

**Water temperature should not exceed the maximum operating temperature of 125°F (50°C).**

**Extremely hot water may damage the filter cartridge. The recommended maximum operating pressure should not exceed 120 PSI.**

The amount of chlorine and other organic chemicals reduced by the Dr. Clark Shower Filter will vary according to water flow rate, temperature, ph, and the amount of chemicals present. For optimal performance, we recommend the use of a high quality low-flow Shower Head. This will increase performance and extend the life of the Filter Cartridge Medium.